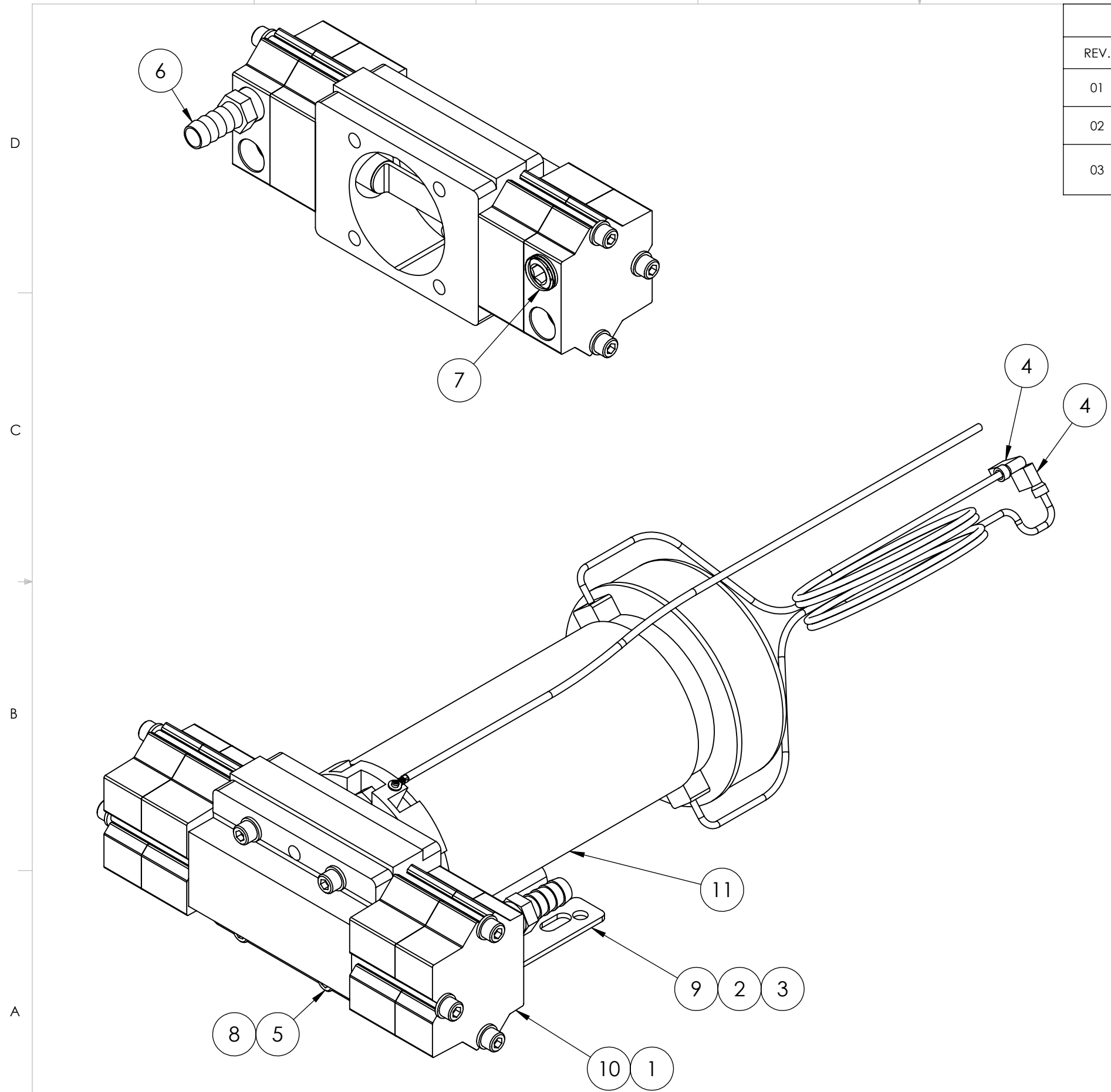


8 7 6 5 4 3 2 1

REVISIONS				
REV.	ECO#	DESCRIPTION	DATE	APPROVED
01	N/A	INITIAL RELEASE	3/5/2020	SEB
02	1414	REPLACE C0200-1M16 WITH 31533	8/20/2020	SEB
03	1507	GOLD PUMP TO BLACK SUB-PUMP; ADJUSTED PLUMBING	12/22/2021	SEB



ITEM NO.	PART NUMBER	DESCRIPTION	QTY.
1	10073	KIT-C, 204/205, .085 CAM, 3/8 THREAD, .465 THICK	1
2	30183	BOLT, 1/4-28 X 3/8, HEX HEAD, SS	2
3	30184	WASHER, EXTERNAL LOCK, 1/4, ZINC PLATED	2
4	30754	TERMINAL, FEMALE, PUSH-ON, 14-16 GA, FLAG, INSULATED, NON-PANDEUIT	2
5	31156	BOLT, 1/4-20 X 2, SHCS, STAINLESS STEEL	4
6	31259	HOSE BARB, 3/8MALE, 1/2BARB, BRASS	1
7	31330	PLUG, 3/8, COUNTER SUNK, BRASS	1
8	31409	WASHER, FLAT, M6, STAINLESS STEEL	4
9	40449	BASE, SHORT, M20/M53/M54	1
10	54019	SUB-PUMP, 207V, ANODIZED, 4- 3/8" PORTS, UNTESTED (REAR)	1
11	M9253F	AMETEK .25HP OFC MOTOR	1

UNLESS OTHERWISE SPECIFIED:  
 DIMENSIONS ARE IN INCHES  
 TOLERANCES:  
 ANGULAR ± 1°  
 .XX ± .010  
 .XXX ± .005  
 CONCENTRIC .003

DRAWN	NAME	DATE
CHECKED	ALB	3/5/20
ENG APPR.		
MFG APPR.		



TITLE: PEX,  
 207V-085/M9253F,  
 500 PSI SYSTEM,  
 WITHOUT RECITIFIER

**PROPRIETARY AND CONFIDENTIAL**  
 THE INFORMATION CONTAINED IN THIS DRAWING IS THE SOLE PROPERTY OF PUMPTEC, INC. ANY REPRODUCTION IN PART OR AS A WHOLE WITHOUT THE WRITTEN PERMISSION OF PUMPTEC, INC. IS PROHIBITED.

SIZE **B** DWG. NO. **81662** REV **03**



SCALE: 1:2 SHEET 1 OF 1

NOTES: 1) PUMP MOUNTS UPSIDE DOWN

8 7 6 5 4 3 2 1